

LS-1 Soundbar

Adaption for sound bar

The LS-1 Sound Bar allows the installation of a customary sound bar by means of a screw connection on the rear of VESA universal mounts.

The sound bar mount is attached through the universal VESA mounting hole pattern.

The width and depth of the sound bar adaption can be adjusted continuously.

Item no.: 8900

It can be installed either above or beneath the screen.

The surface of the sound bar adaption is finished with an impact- and scratch-resistant powder coating and is therefore impervious and carefree.

The max. load is 10 kg.



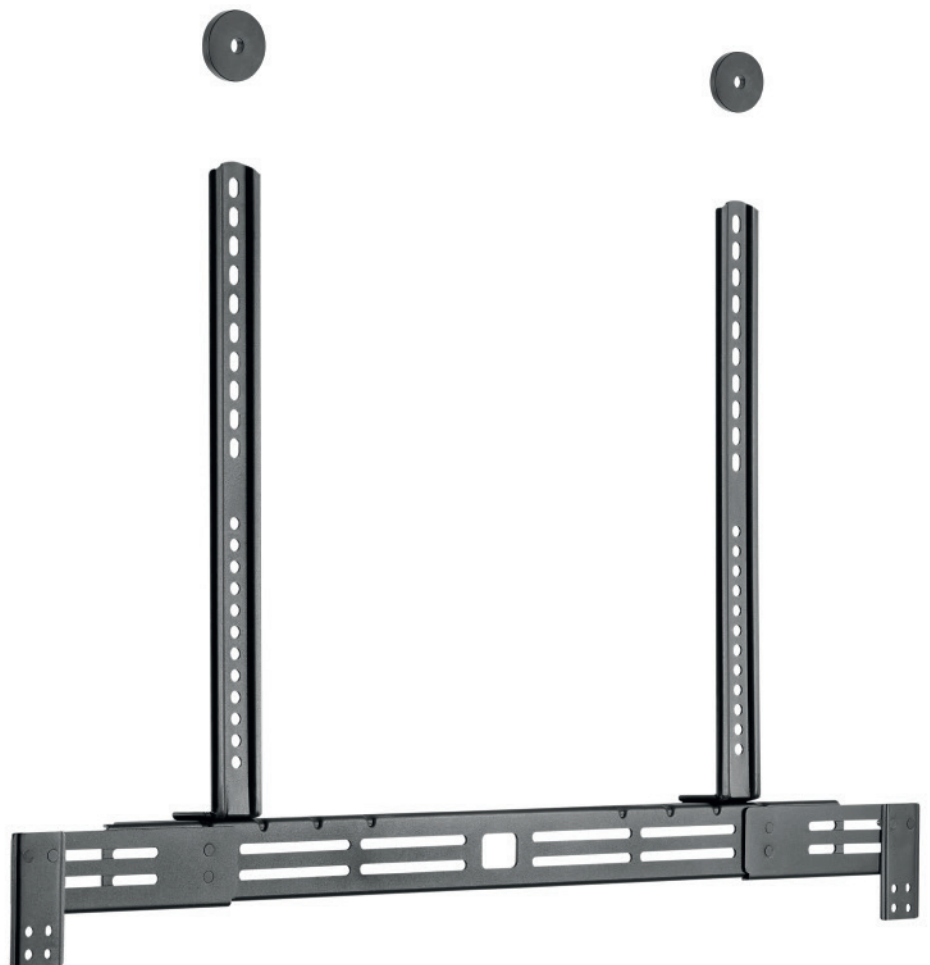
electively mountable above
or beneath the screen



the depth is variably adjustable



orderly overall impression



Technical changes reserved

LS-1 Soundbar

Item no.: 8900

Adaption for sound bar

- Adaption for sound bar
- adaption possible with every VESA universal mount from min. VESA 200 up to max. VESA 600 mm
- 10 kg max. load
- installation electively possible above or beneath the screen
- length continuously adustable
- depth continuously adjustable
- impact- and scratch-resistant powder coating
- colour: black

